

Operating Manual



LED Electric-Zoom Profile Light

Table of Contents

1. INTRODUCTION.....	2
2. DESCRIPTION OF THE FIXTURE.....	2
3. DIMENSIONS.....	2
4. WIRING DIAGRAM.....	3
5. CONTROL BOARD.....	3
6. OPERATION.....	4
1. Menu structure	
2. Master/Slave Setting	
7. ILLUMINATION DIAGRAM.....	5
8. DMX CHANNELS.....	6
1. DMX 12 Channel Mode	
2. DMX 6 Channel Mode	
3. Color Temperature (CCT) Ratio	
9. TECHNICAL SPECIFICATIONS.....	8
10. NOTICE.....	8

7. 《DMX512 Function》

In DMX mode, the LED display is normal when there is no DMX512 signal input, and the LED display is lights up when the DMX512 signal is input

LED Electric-Zoom Profile Light

3. 《CCS、Color Calibration System》

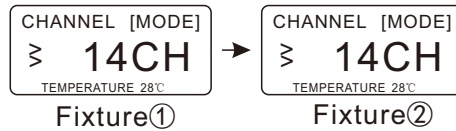
If more than two fixtures have different output colors, check that the whether correcting settings for each fixture are consistent, as show below ①, Factory setting:ON.



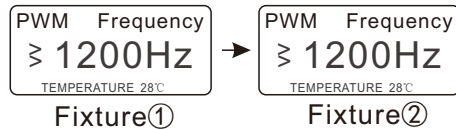
①

4. 《Channels Function》

This fixture has 8-channel mode and 14-channel mode selection. In DMX512 mode, If more than two fixtures have different settings, check whether the channel functions are consistent. as show below ①②, Factory setting[14CH].



5. 《PWM Function》

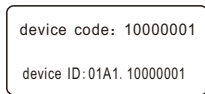


6. 《RDM Function》

If use the RDM function, that must use the console to search each fixture and change the fixture address code in the DMX 512 mode.

Identification Code: each fixture has an identification code as show below①, the identification code of each fixture is different, Please check he fixture label.

①



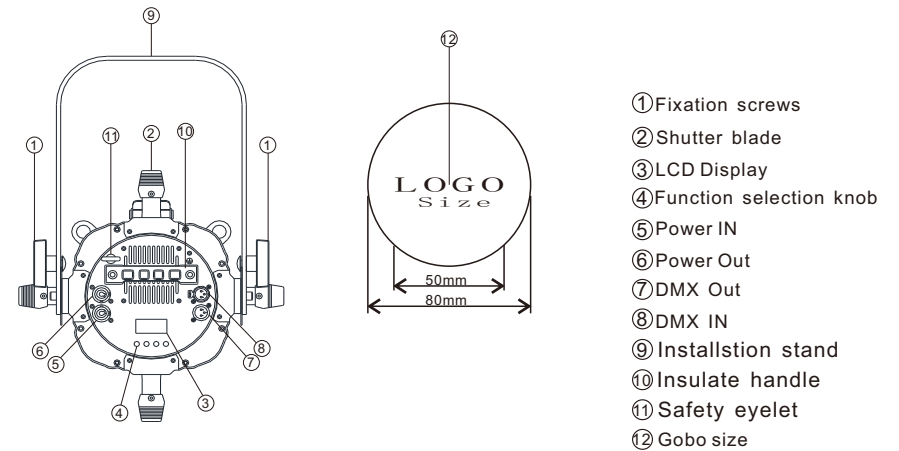
LED Electric-Zoom Profile Light

1. INTRODUCTION

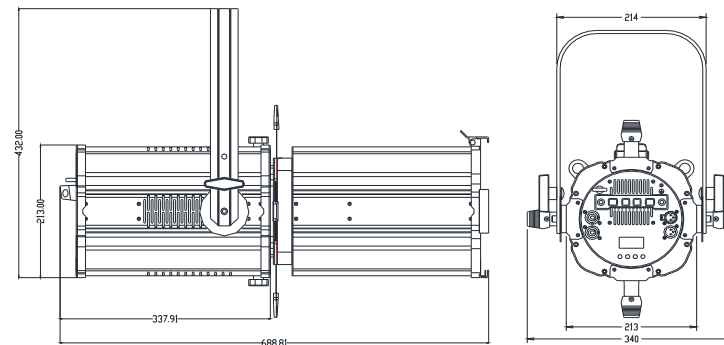
1. Thank you for having chosen LED Electric-Zoom Profile Light, please read this user manual carefully before you initially start-up.

2. This product is allowed to be operated with an alternating voltage of AC90-240V 50/60Hz and designed for indoor use only.

2. Description of the fixture



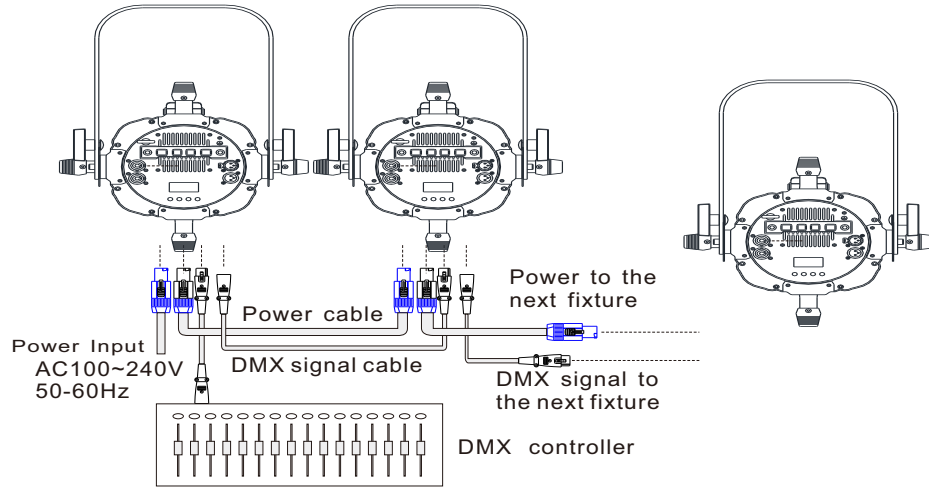
3. Dimensions



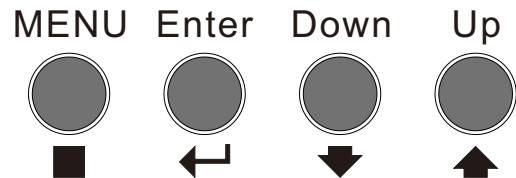
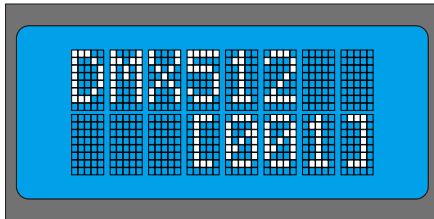
Unit: mm

LED Electric-Zoom Profile Light

4. Wiring Diagram



5. Control Board



- Adjust the key setting function on the control panel
- Press “MENU” --->Display first -level menu--->
- Press “Enter” --->Display second-level menu--->
- Press “Down” & “Up” to adjust relevant function->
- Press “Enter” and “MENU” to quit current menu
- Press “Enter” ---> To next first-level menu.

LED Electric-Zoom Profile Light

9. Technical Specifications

LED Source	COB 500W LED 5 IN 1, RGBAL
Beam Angle	Electric-Zoom 19-50° with high- efficiency optical system
Control	1.DMX512 2. RDM 3.Master/Slave Operation
DMX Channels	14CH/8CH
Connection	PowerCON IN & OUT; 3-Pin DMX In& Out(5 -Pin DMX available)
Voltage	Electronic full-range AC 100-240V 50/60Hz
Working Temperature	Indoor,IP20. -20°C-40°C (-4° F-104° F)
Power Consumption	400W
Dimensions (LxWxH)	68. 881X34X21.3cm
Weight	14.6Kg

10. Please Note:

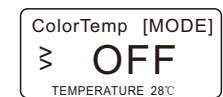
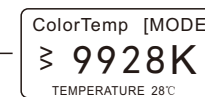
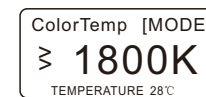
1. 《Dimming, Brightness Function》

Before using the fixture,you should check whether (Dimming,brightness function) is turned on ,As shown in figure①; the factory setting is on . This function should be checked when the fixture does not turn on when the lamp is turned on.It is not affected by this function in DMX mode



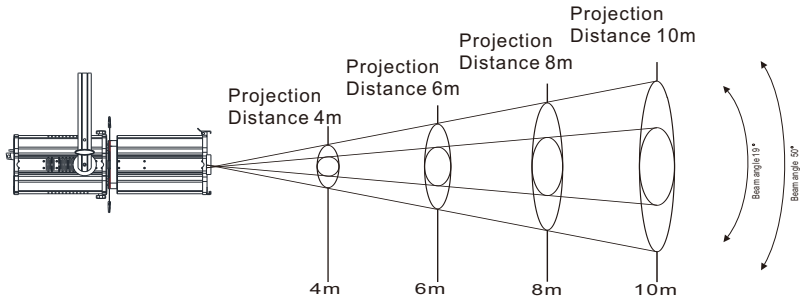
2. 《ColorTemp》

Master/Slave Mode, Colortemp(CCT)adjustable from 1800K to 9928K
As show below①②, factory setting as below③。
(If the Colortemp function is enabled, the R G B W function cannot be used alone.
If you want to use the RGBW function alone, you must turn off Colortemp).



LED Electric-Zoom Profile Light

7. Illumination Diagram



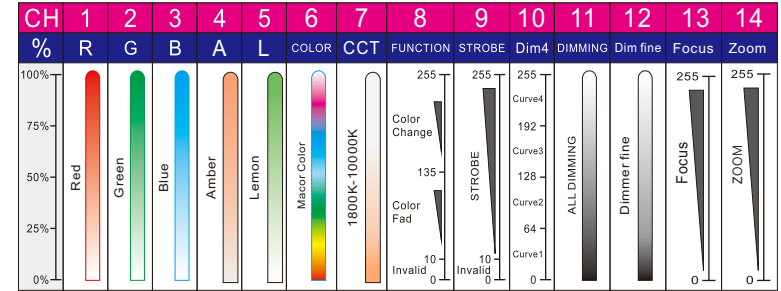
Illumination center/Lux	R	504	236	129	76	Beam angle 19°
	G	1053	446	250	152	
	B	311	142	80	49	
	A	920	400	222	133	
	L	2205	952	527	315	
Beam Diameter (cm)		120	179	240	299	

Illumination center/Lux	R	162	77	44	26	Beam angle 50°
	G	317	142	83	54	
	B	100	45	28	19	
	A	280	129	75	48	
	L	671	300	171	107	
Beam Diameter (cm)		225	378	429	631	

LED Electric-Zoom Profile Light

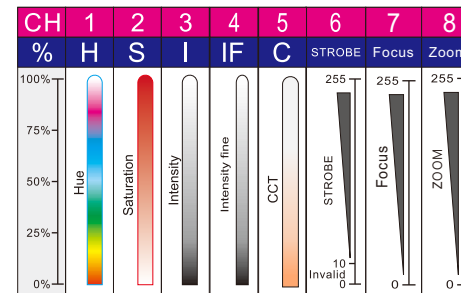
8. DMX Channels (This fixture has two DMX channel mode options)

① DMX 14 Channel Mode



channel 1-Red	000-255 levels linear dimming
channel 2-Green	000-255 levels linear dimming
channel 3-Blue	000-255 levels linear dimming
channel 4-Amber	000-255 levels linear dimming
channel 5-Lemon	000-255 levels linear dimming
channel 6-COLOR	000-255 levels RGBAL color mixing
channel 7-CCT	000-255 levels linear dimming, CCT 1800K-10000K
channel 8-FUNCTION	000-009 levels without function
	010-127 levels fade function
	128-134 levels without function 135-255 levels auto function
channel 9-STROBE	000-009 levels without function
	010-255 levels strobe function
channel 10-Dim4	000-063 first-level dimming delay function
	064-127 second-level dimming delay function
	128-191 third-level dimming delay function
	192-255 fourth-level dimming delay function
channel 11-DIMMING	000-255 levels master dimming
channel 12-Dim fine	000-255 levels dimmer fine
channel 13-Focus	000-255 levels setting spot sharpness
channel 14-Zoom	000-255 levels setting beam angle

② DMX8 Channel Mode



LED Electric-Zoom Profile Light

DMX 8 Channels Function

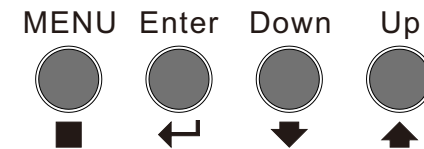
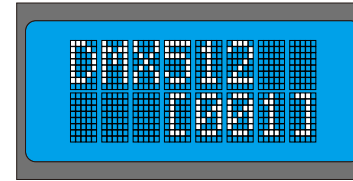
channel 1-Hue	000-255 levels RGBAL color mixing
channel 2-Saturation	000-255 levels saturation adjustable
channel 3-Intensity	000-255 levels master dimming
channel 4-Intensity fine	000-255 levels dimmer fine
channel 5-CCT	000-255 levels linear dimming,CCT1800K-10000K
channel 6-STROBE	000-009 levels without function
	010-255 levels strobe function
channel 7-Focus	000-255 levels setting spot sharpness
channel 8-Zoom	000-255 levels setting beam angle

Note: Color Temperature (CCT) Ratio

DMX levels	CCT DATA	DMX levels	CCT DATA
000↔006	1800K↔2000K	131↔137	6000K↔6200K
006↔012	2000K↔2200K	137↔144	6200K↔6400K
012↔018	2200K↔2400K	144↔150	6400K↔6600K
018↔024	2400K↔2600K	150↔156	6600K↔6800K
024↔030	2600K↔2800K	156↔162	6800K↔7000K
030↔036	2800K↔3000K	162↔169	7000K↔7200K
036↔044	3000K↔3200K	169↔175	7200K↔7400K
044↔050	3200K↔3400K	175↔181	7400K↔7600K
050↔056	3400K↔3600K	181↔187	7600K↔7800K
056↔062	3600K↔3800K	187↔194	7800K↔8000K
062↔069	3800K↔4000K	194↔200	8000K↔8200K
069↔075	4000K↔4200K	200↔206	8200K↔8400K
075↔081	4200K↔4400K	206↔212	8400K↔8600K
081↔087	4400K↔4600K	212↔219	8600K↔8800K
087↔094	4600K↔4800K	219↔225	8800K↔9000K
094↔100	4800K↔5000K	225↔231	9000K↔9200K
100↔106	5000K↔5200K	231↔237	9200K↔9400K
106↔112	5200K↔5400K	237↔244	9400K↔9600K
112↔119	5400K↔5600K	244↔250	9600K↔9800K
119↔125	5600K↔5800K	250↔255	9800K↔10000K
125↔131	5800K↔6000K		

LED Electric-Zoom Profile Light

6. Operation



LED display	Function setting
DMX512 MODE	setting the DMX starting address from A001-A512
Dimmer R- [MODE]	setting the red color brightness 000-255
Dimmer G- [MODE]	setting the green color brightness 000-255
Dimmer B- [MODE]	setting the blue color brightness 000-255
Dimmer A- [MODE]	setting the amber color brightness 000-255
Dimmer L- [MODE]	setting the lemon color brightness 000-255
Col_Temp [MODE]	setting the CCT 1800K-9928K
Dimming [MODE]	Dimming 000-255
Strobe [MODE]	setting the strobe speed 000-012
Fade [MODE]	setting the fade speed 000-012
Auto [MODE]	setting the auto speed 000-012
CCS [MODE]	correcting function ON-OFF
Channel [MODE]	setting DMX channels 14CH-8CH
PWM [MODE]	setting PWM frequency 1200Hz-20000Hz
Focus [MODE]	setting spot sharpness 000-255
Zoom [MODE]	setting beam angle 000-255

■ Master/Slave Setting

1. Set the mast fixture to Dimmer or Strobe
2. Set each slave fixture to the same DMX001 (As show below)

