

Operating Manual



LED Zoom Fresnel Light



Table of Contents

1. INTRODUCTION.....	2
2. DESCRIPTION OF THE FIXTURE.....	2
3. DIMENSIONS.....	2
4. WIRING DIAGRAM.....	3
5. CONTROL BOARD.....	3
6. OPERATION.....	4
1. Menu structure	
2. Master/Slave Setting	
7. ILLUMINATION DIAGRAM.....	5
8. DMX CHANNELS.....	6
1. DMX 12 Channel Mode	
2. DMX 6 Channel Mode	
3. Color Temperature (CCT) Ratio	
9. TECHNICAL SPECIFICATIONS.....	8
10. NOTICE.....	8

7. RDM Function

If use the R D M function, that must use the console to search each fixture and change the fixture address code in the D M X 5 1 2 mode.

Identification Code: each fixture has an identification code as show below ①, the identification code of each fixture is different, please check the fixture label.

device code: 10000001
device ID: 01A1.10000001

①

8. DMX512 Function

In D M X mode, the LED display is normal when there is no DMX5 1 2 signal input, and the LED display is lights up when the DMX5 1 2 signal is input.

LED Zoom Fresnel Light

3. Correcting Features

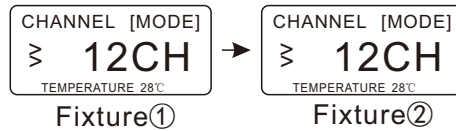
If more than two fixtures have different output colors, check that the whether correcting settings for each fixture are consistent, as show below ①, Factory setting:ON.



①

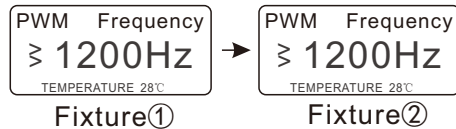
4. Channels Function

This fixture has 6-channel mode and 12-channel mode selection. In DMX512 mode, If more than two fixtures have different settings, check whether the channel functions are consistent. as show below ①②, Factory setting[12CH].



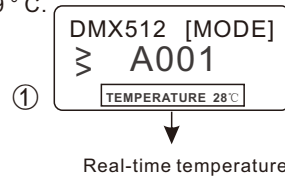
5. PWM Function

In DMX,Master/Slave mode, If the dimming smoothness and color output are different on more than two fixtures, check that whether the PWM settings are consistent. as show below ①②. Factory setting[1200Hz].



6. Temperature Monitoring Function

This fixture has a temperature detection function. When the temperature is higher than 56 ° C, the fan will turn on and when the temperature is lower than 39 ° C. Fan will turn off; fan turn off is normal when temperature is <39 ° C. as show below ① is Real-time temperature.



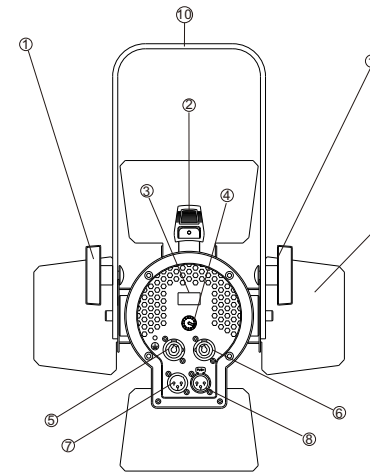
LED Zoom Fresnel Light

1. Introduction

1.Thank you for having chosen LED zoom fresnel light,please read this user manual carefully before you initially start-up.

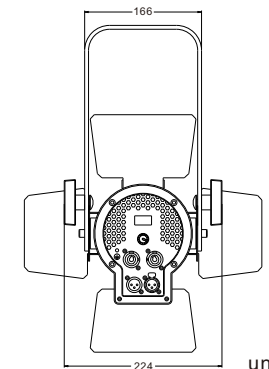
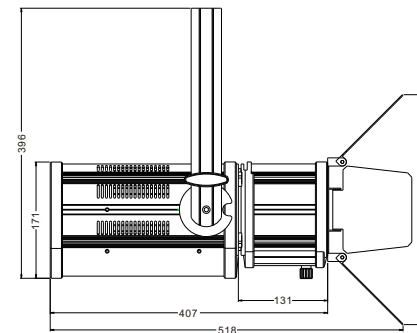
2.This product is allowed to be operated with an alternating voltage of AC90-240V 50/60Hz and designed for indoor use only.

2. Description of the fixture



- ① Fixation screws
- ② Filter holder
- ③ Display
- ④ Function selection knob
- ⑤ Power IN
- ⑥ Power Out
- ⑦ DMX IN
- ⑧ DMX Out
- ⑨ Barn door
- ⑩ Mounting bracket

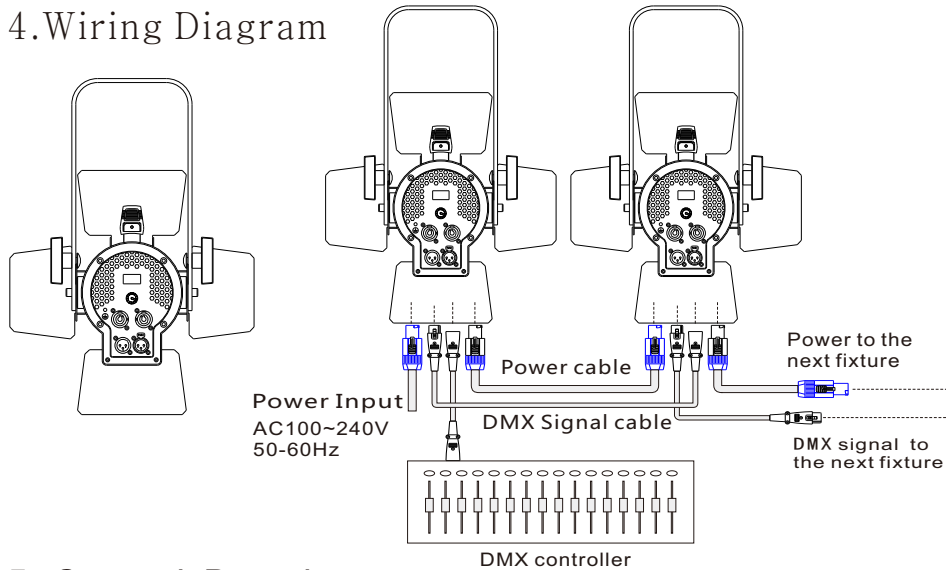
3. Dimensions



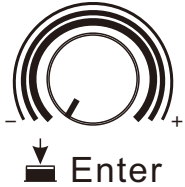
unit: mm

LED Zoom Fresnel Light

4. Wiring Diagram



5. Control Board



■ Press the function selection knob on control board to setting function

■ <Enter> select or save



">" When this symbol is in the menu, rotate button to select the function.



">" When this symbol is in the function, rotate button to adjust the function.

LED Zoom Fresnel Light

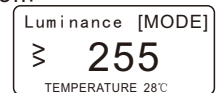
9. Technical Specifications

LED SOURCE	COB 100W LED 5 IN 1, RGBAL
Beam Angle	Manual Zoom 20° - 38°
Control	DMX512/ RDM/ Master/Slave Operation
DMX-512 Channels	12 channels / 6 channels
Connection	Powercon In & Out; 3-pole DMX In & Out (5-pole DMX available)
Voltage	Electronic full-range AC100-240V 50/60Hz
IP Rating	IP20
Working Temperature	-20°C-40°C (-4° F-104° F)
Power consumption	100W
Dimensions (LxWxH)	40.7 x 14x 17.1
Weight	4.7kgs

10. Please Note:

1. Luminance

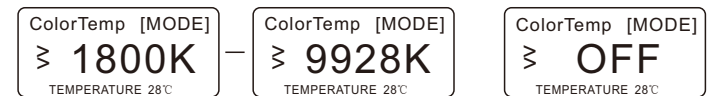
Check before using the fixture check whether Luminance function it is on .
As show below ①; factory setting it is on.
This function should be checked when the light is off.
(This function is not affected in DMX mode)



①

2. Color Temperature

Master/Slave Mode. Colortemp(CCT)adjustable from 1800K to 9928K.
As show below①②, factory setting as below③.
(If the Colortemp function is enabled, the R G B A L function cannot be used alone.
If you want to use the RGBAL function alone, you must turn off Colortemp).



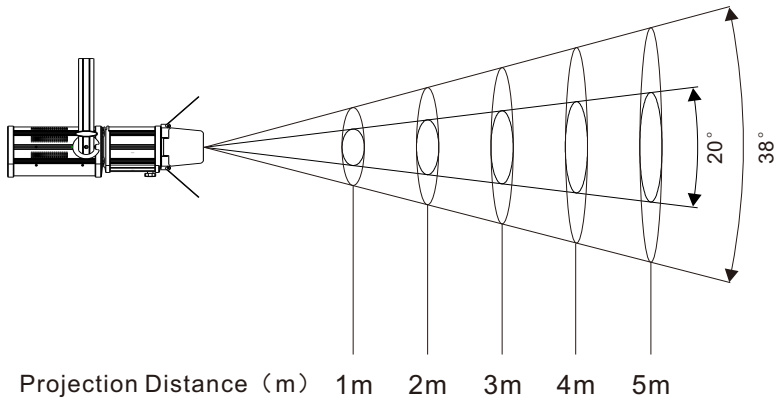
①

②

③

LED Zoom Fresnel Light

7. Illumination Diagram



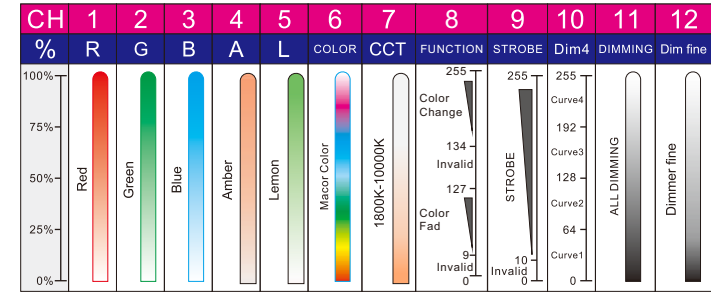
Illumination Center/ (LUX)	R	2000	542	223	125	77	Beam angle 20°
	G	4135	1141	485	271	170	
	B	8808	258	113	64	45	
	A	7565	2046	857	478	300	
	L	5141	1413	595	333	208	
Total Illumination		11127	3063	1280	720	450	
Beam Diameter (cm)		35	70	106	141	176	

Illumination Center/ (LUX)	R	1028	323	135	74	50	Beam angle 38°
	G	2240	679	294	169	108	
	B	483	150	67	40	27	
	A	3843	1188	504	282	182	
	L	2680	817	350	200	128	
Total Illumination		5837	1800	760	430	280	
Beam Diameter (cm)		69	138	207	275	344	

LED Zoom Fresnel Light

8. DMX Channels (This fixture has two DMX channel mode options)

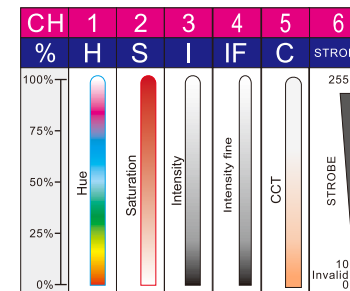
① DMX 12 Channel Mode



12 Channels Function

channel 1-Red	000-255 levels linear dimming
channel 2-Green	000-255 levels linear dimming
channel 3-Blue	000-255 levels linear dimming
channel 4-Amber	000-255 levels linear dimming
channel 5-Lemon	000-255 levels linear dimming
channel 6-COLOR	000-255 levels RGBAL color mixing
channel 7-CCT	000-255 levels linear dimming, CCT 1800K-10000K
channel 8-FUNCTION	000-009 levels without function
	010-127 levels fade function
	128-134 levels without function
channel 9-STROBE	135-255 levels auto function
	000-009 levels without function
	010-255 levels strobe function
channel 10-Dim4	000-063 first-level dimming delay function
	064-127 second-level dimming delay function
	128-191 third-level dimming delay function
	192-255 fourth-level dimming delay function
channel 11-DIMMING	000-255 levels master dimming
channel 12-Dim fine	000-255 levels dimmer fine

② HSIC Channels Mode



LED Zoom Fresnel Light

HSIC Channels Function

channel 1-Hue	000-255 levels RGBAL color mixing
channel 2-Saturation	000-255 levels saturation adjustable
channel 3-Intensity	000-255 levels master dimming
channel 4-Intensity fine	000-255 levels dimmer fine
channel 5-CCT	000-255 levels linear dimming,CCT1800K-10000K
channel6-STROBE	000-009 levels without function
	010-255 levels strobe function

Note: Color Temperature (CCT) Ratio

DMX levels	CCT DATA	DMX levels	CCT DATA
000↔006	1800K↔2000K	131↔137	6000K↔6200K
006↔012	2000K↔2200K	137↔144	6200K↔6400K
012↔018	2200K↔2400K	144↔150	6400K↔6600K
018↔024	2400K↔2600K	150↔156	6600K↔6800K
024↔030	2600K↔2800K	156↔162	6800K↔7000K
030↔036	2800K↔3000K	162↔169	7000K↔7200K
036↔044	3000K↔3200K	169↔175	7200K↔7400K
044↔050	3200K↔3400K	175↔181	7400K↔7600K
050↔056	3400K↔3600K	181↔187	7600K↔7800K
056↔062	3600K↔3800K	187↔194	7800K↔8000K
062↔069	3800K↔4000K	194↔200	8000K↔8200K
069↔075	4000K↔4200K	200↔206	8200K↔8400K
075↔081	4200K↔4400K	206↔212	8400K↔8600K
081↔087	4400K↔4600K	212↔219	8600K↔8800K
087↔094	4600K↔4800K	219↔225	8800K↔9000K
094↔100	4800K↔5000K	225↔231	9000K↔9200K
100↔106	5000K↔5200K	231↔237	9200K↔9400K
106↔112	5200K↔5400K	237↔244	9400K↔9600K
112↔119	5400K↔5600K	244↔250	9600K↔9800K
119↔125	5600K↔5800K	250↔255	9800K↔10000K
125↔131	5800K↔6000K		

LED Zoom Fresnel Light

6. Operation

■ Menu Structure



Enter the menu by turning the function selection knob, browse through the menu by turning left or right. Press **<Enter>** to confirm or save. " **≥** " This symbol represents the current running function.

LED display	Function setting
DMX512 MODE	setting the DMX starting address from A001-A512
Dimmer R- [MODE]	setting the red color brightness 000-255
Dimmer G- [MODE]	setting the green color brightness 000-255
Dimmer B- [MODE]	setting the blue color brightness 000-255
Dimmer A- [MODE]	setting the amber color brightness 000-255
Dimmer L- [MODE]	setting the lemon color brightness 000-255
ColorTemp [MODE]	setting the CCT 1800K-9928K
Luminance [MODE]	setting the brightness 000-255
Strobe [MODE]	setting the strobe speed 000-012
Fade [MODE]	setting the fade speed 000-012
Auto [MODE]	setting the auto speed 000-012
Correcting [MODE]	correcting function ON-OFF
CHANNEL [MODE]	setting DMX channels 12CH-6CH
PWM Frequency [MODE]	setting PWM frequency 1200Hz-20000Hz

■ Master/Slave Setting

1. Set the mast fixture to Dimmer or Strobe
2. Set each slave fixture to the same DMX001 (As show below)

